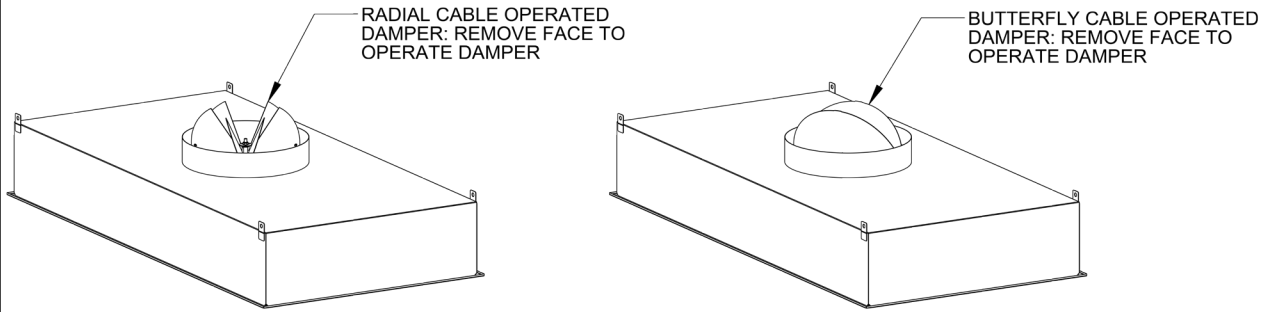
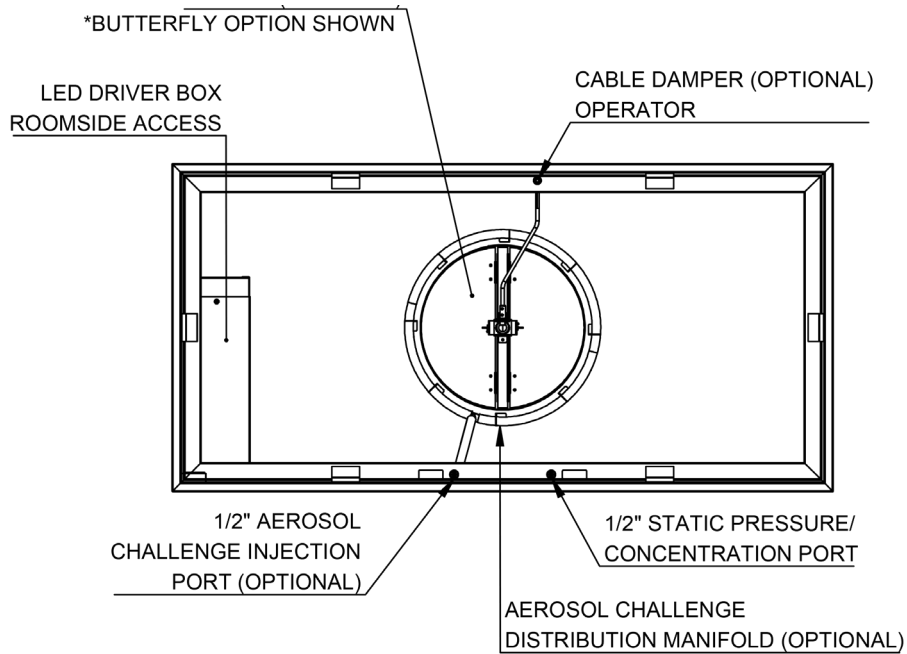


OPTIONAL ACCESSORIES

Cable Operated Damper Detail



Control Enclosure & Accessory Detail



FACE FRAME AND FILTER REMOVED FOR CLARITY